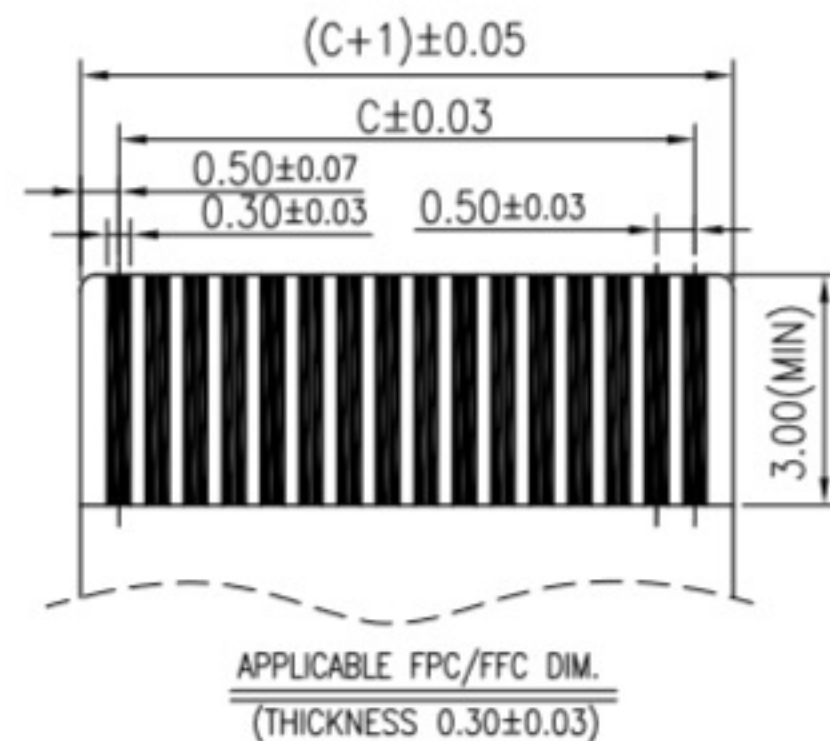
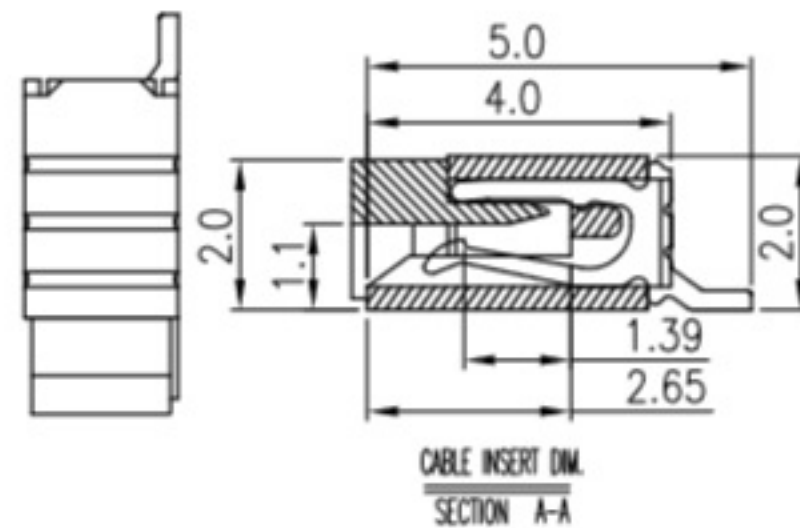


Electrical Characteristics:
 Current rating: 0.4A AC/DC
 Voltage rating: 50V AC/DC
 Temperature range: -25°C~+85°C
 Withstand Voltage: 200V AC/Minute
 Contact Resistance: ≤ 20mΩ
 Insulation resistance: ≥ 500mΩ
 Relative Humidity: 93%+40°C
 Material Description:
 Terminal: Phosphor Bronze Tin-Leadplated
 Fitting Nail: Brass Tin-plated
 Housing: Thermoplastic(UL94V-0)
 Slider: Thermoplastic(UL94V-0)



PIN数	DIM-A	DIM-B	DIM-C	DIM-D	DIM-E
4P	7.6	6.5	1.50	2.60	
5P	8.1	7.0	2.00	3.10	
6P	8.6	7.5	2.50	3.60	
7P	9.1	8.0	3.00	4.10	
8P	9.6	8.5	3.50	4.60	
9P	10.1	9.0	4.00	5.10	
10P	10.6	9.5	4.50	5.60	
11P	11.1	10.0	5.00	6.10	
12P	11.6	10.5	5.50	6.60	
13P	12.1	11.0	6.00	7.10	
14P	12.6	11.5	6.50	7.60	
15P	13.1	12.0	7.00	8.10	
16P	13.6	12.5	7.50	8.60	
17P	14.1	13.0	8.00	9.10	
18P	14.6	13.5	8.50	9.60	
19P	15.1	14.0	9.00	10.10	
20P	15.6	14.5	9.50	10.60	
21P	16.1	15.0	10.00	11.10	
22P	16.6	15.5	10.50	11.60	
23P	17.1	16.0	11.00	12.10	
24P	17.6	16.5	11.50	12.60	
25P	18.1	17.0	12.00	13.10	
26P	18.6	17.5	12.50	13.60	
27P	19.1	18.0	13.00	14.10	
28P	19.6	18.5	13.50	14.60	
29P	20.1	19.0	14.00	15.10	
30P	20.6	19.5	14.50	15.60	
31P	21.1	20.0	15.00	16.10	
32P	21.6	20.5	15.50	16.60	
33P	22.1	21.0	16.00	17.10	
34P	22.6	21.5	16.50	17.60	
35P	23.1	22.0	17.00	18.10	
36P	23.6	22.5	17.50	18.60	
37P	24.1	23.0	18.00	19.10	
38P	24.6	23.5	18.50	19.60	
39P	25.1	24.0	19.00	20.10	
40P	25.6	24.5	19.50	20.60	
41P	26.1	25.0	20.00	21.10	
42P	26.6	25.5	20.50	21.60	
43P	27.1	26.0	21.00	22.10	
44P	27.6	26.5	21.50	22.60	
45P	28.1	27.0	22.00	23.10	
46P	28.6	27.5	22.50	23.60	
47P	29.1	28.0	23.00	24.10	
48P	29.6	28.5	23.50	24.60	
49P	30.1	29.0	24.00	25.10	
50P	30.6	29.5	24.50	25.60	
51P	31.1	30.0	25.00	26.10	
52P	31.6	30.5	25.50	26.60	
53P	32.1	31.0	26.00	27.10	
54P	32.6	31.5	26.50	27.60	
55P	33.1	32.0	27.00	28.10	
56P	33.6	32.5	27.50	28.60	
57P	34.1	33.0	28.00	29.10	
58P	34.6	33.5	28.50	29.60	
59P	35.1	34.0	29.00	30.10	
60P	35.6	34.5	29.50	30.60	

CUSTOMER DRAWING

一般公差
GENERAL TOLERANCE

.1 ±0.20
.2 ±0.25
.3 ±0.30
ANGLES ±5°



东莞市红都电子科技有限公司

DONG GUAN SHI HONG DU ELECTRONICS TECHNOLOGY CO., LTD

制图 (DW): Kevin 08/07/17 品名 (TITLE): 0.5Pitch 2.0mm ZIF R/A 投掷式下接FPC
 审核 (CHK): 料号 (PART NO): FPC0520B-Xxx-00RY
 标准 (APP): 比例 (SCALE): 5:1 单位 (UNITS): mm 张数 (SHEET): 1 OF 1 图幅 (SIZE): A4