

Note:

1.Material

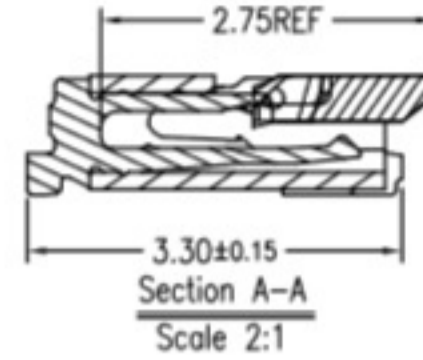
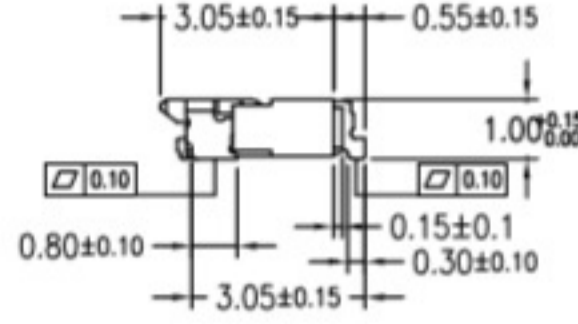
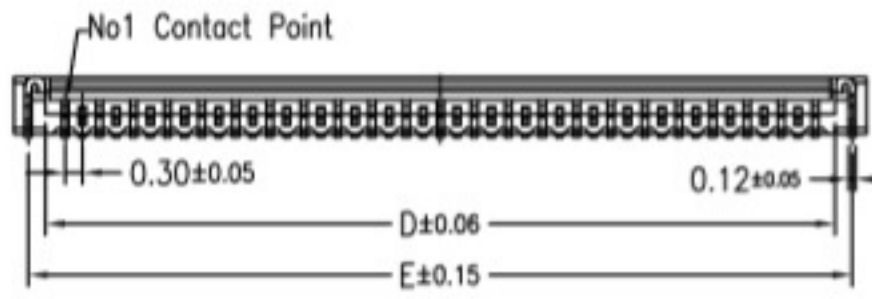
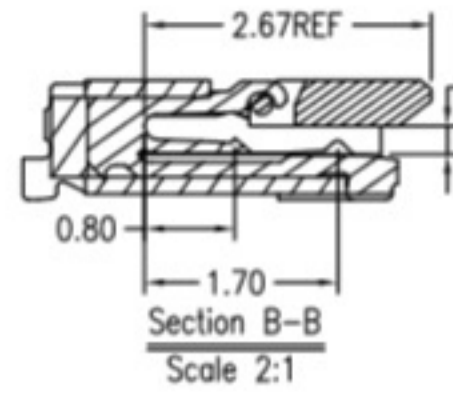
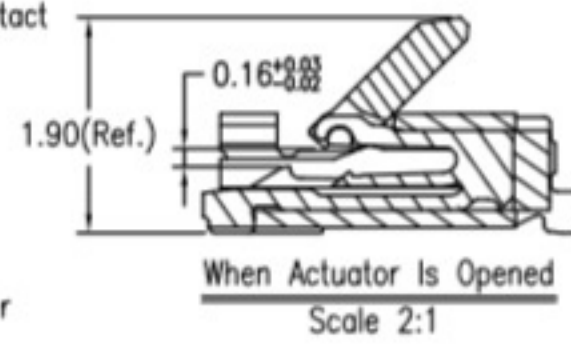
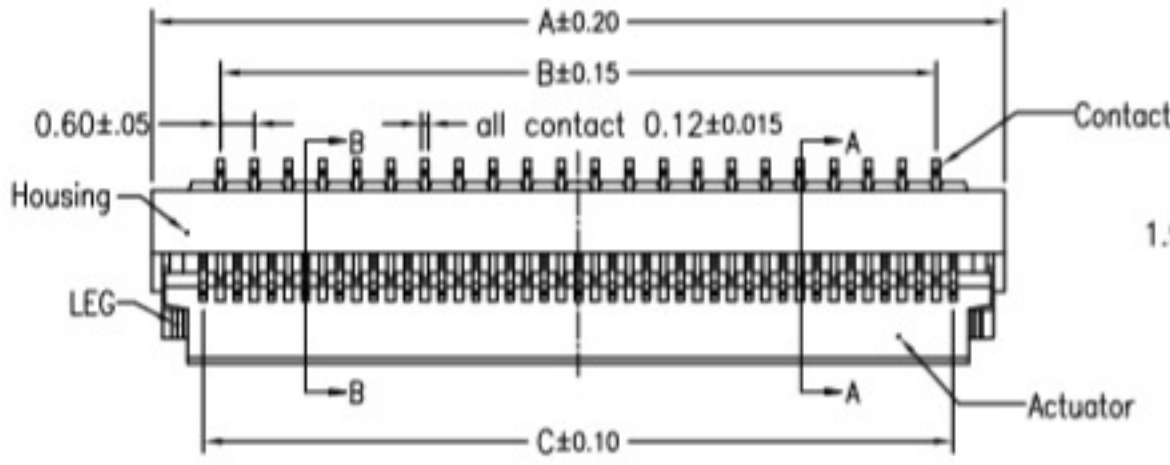
- 1.1: Housing: LCP UL94-V0 Color:Natural.Or Black
- 1.2: Actuator: LCP UL94-V0 Color:Black Or Natural
- 1.3: Contact: Phosphor Bronze.
- 1.4: LEG: Phosphor Bronze.

2.Plating

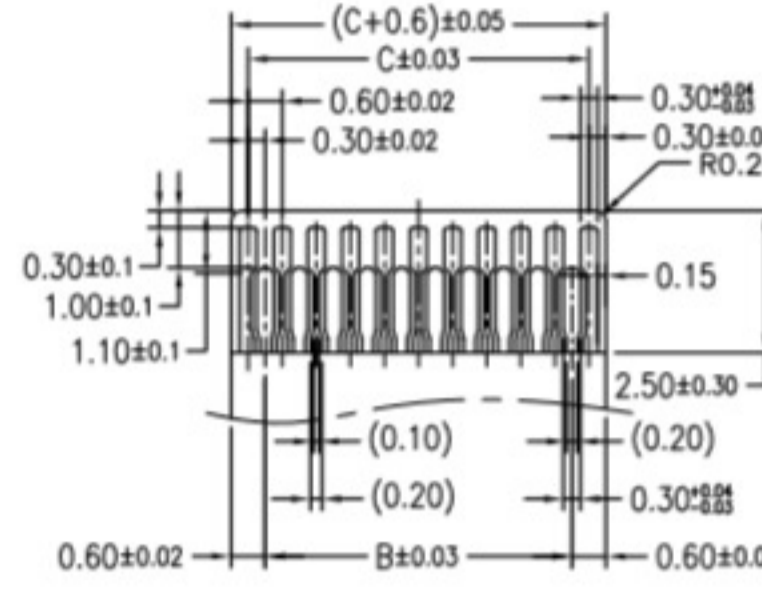
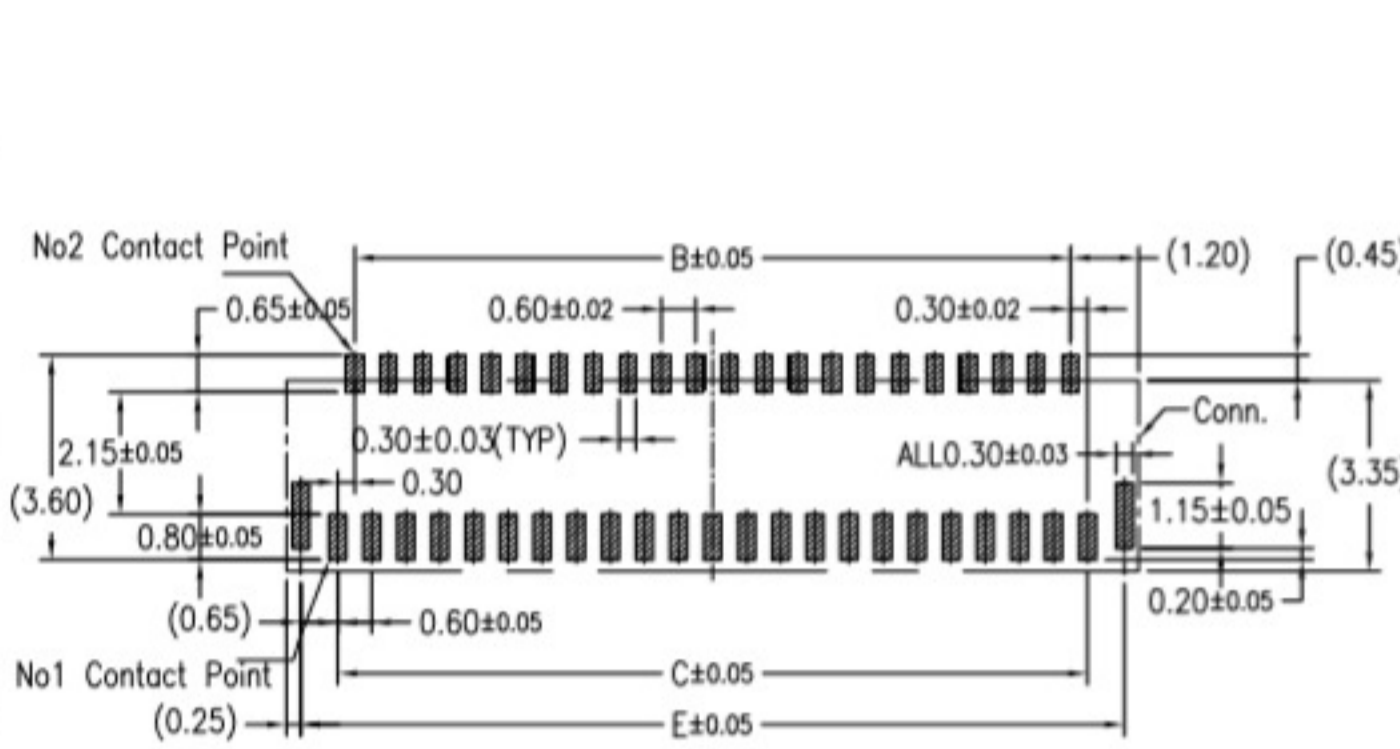
- 2.1: Contact: See Part Number.
- 2.2: LEG: Matte Tin Plating Over Nickel.

3.Rating:

- 3.1: Operating Voltage: 30V AC/DC.
- 3.2: Current Rating: 0.2A AC/DC.
- 3.3: Operating Temperature:-55°C~+85°C.



Number of Contacts	Dimension				
	A	B	C	D	E
13	5.40	3.00	3.60	4.25	4.90
15	6.00	3.60	4.20	4.85	5.50
17	6.60	4.20	4.80	5.45	6.10
19	7.20	4.80	5.40	6.05	6.70
21	7.80	5.40	6.00	6.65	7.30
23	8.40	6.00	6.60	7.25	7.90
25	9.00	6.60	7.20	7.85	8.50
27	9.60	7.20	7.80	8.45	9.10
29	10.20	7.80	8.40	9.05	9.70
31	10.80	8.40	9.00	9.65	10.30
33	11.40	9.00	9.60	10.25	10.90
35	12.00	9.60	10.20	10.85	11.50
37	12.60	10.20	10.80	11.45	12.10
39	13.20	10.80	11.40	12.05	12.70
41	13.80	11.40	12.00	12.65	13.30
45	15.00	12.60	13.20	13.85	14.50
49	16.20	13.80	14.40	15.05	15.70
51	16.80	14.40	15.00	15.65	16.30
57	18.60	16.20	16.80	17.45	18.10
61	19.80	17.40	18.00	18.65	19.30
67	21.60	19.20	19.80	20.45	21.10
71	22.80	20.40	21.00	21.65	22.30
73	23.40	21.00	21.60	22.25	22.90



Applicable FPC

FPC/FFC Insert Direction
Recommended P.C.B Layout

CUSTOMER DRAWING		一般公差 GENERAL TOLERANCE		东莞市红都电子科技有限公司 DONG GUAN SHI HONG DU ELECTRONICS TECHNOLOGY CO., LTD	
.X	±0.30	制图(DD):		品名(TITLE): FPC 0.3Pitch 1.0H ZIF R/A Connector	
.XX	±0.20	审核(SD):		料号(PART NO): FPC0310A-Xxx-00RB	
.XXX	±0.10	批准(APR):		比例(SCALE): 5:1	
ANGLES	±2°	图幅(SHEET):		图幅(SIZE):	
图号(DWG):		图名(TITLE):		图号(SHEET):	
图号(SHEET):		图幅(SIZE):		图幅(SIZE):	

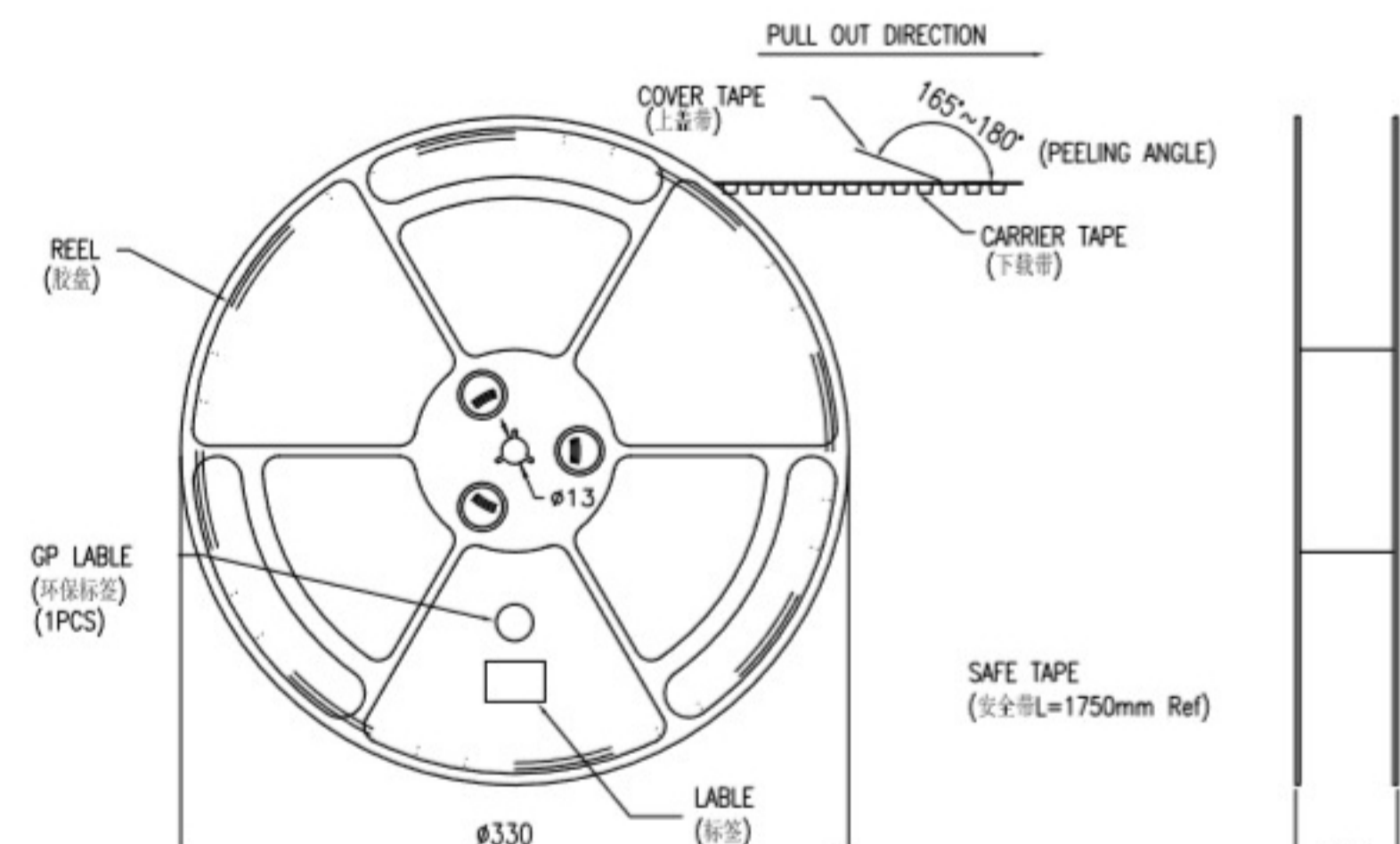
本部品不含有环境管理物质规定之有害物质 [MANAGEMENT REGULATIONS FOR THE RESTRICTIVELY-USED SUBSTANCES INCLUDED IN PARTS AND DEVICES]

EMBOSSED TAPE PACKING

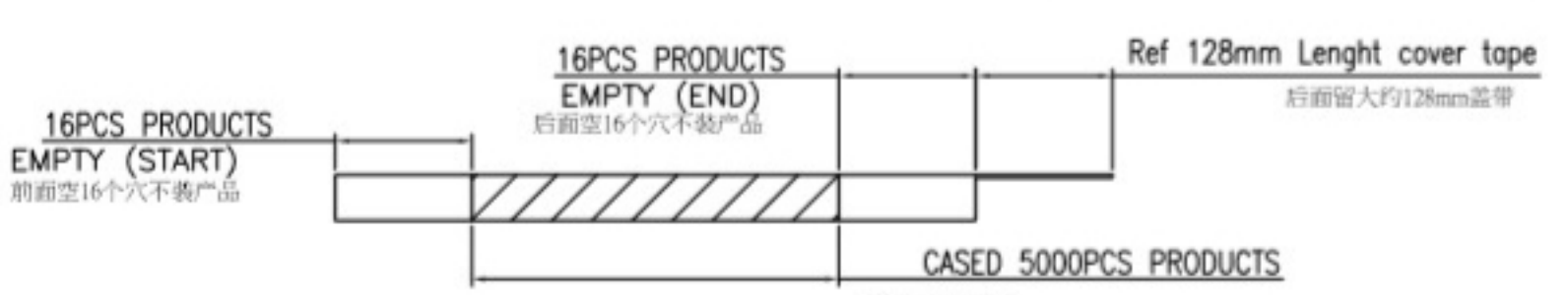
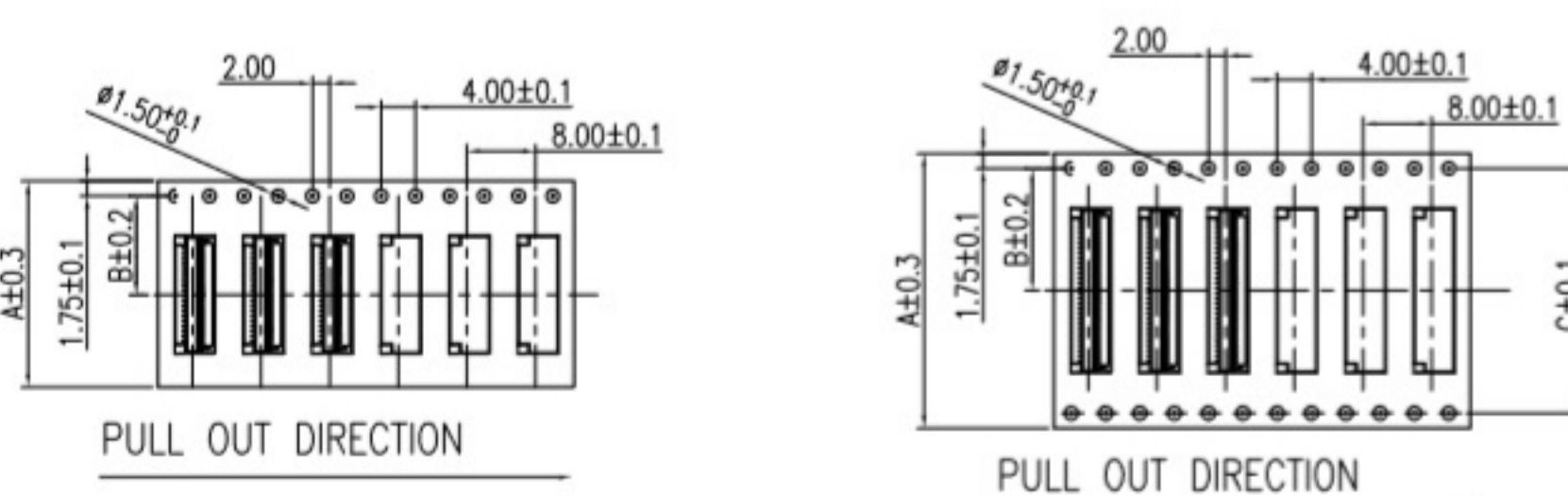
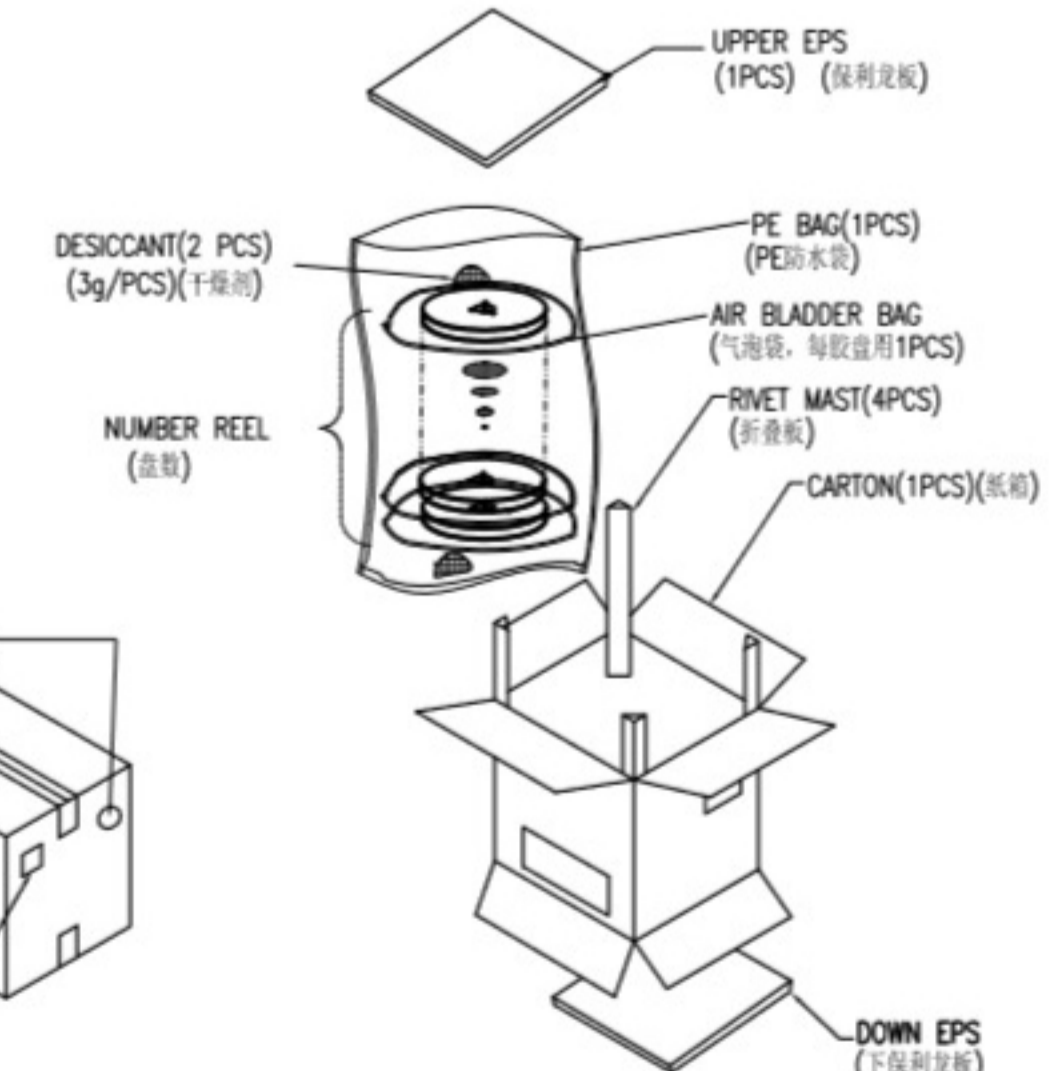
0.3mm Pitch FPC Connector, ZIF R/A SMT Type

NOTE:

- 1.10 Sprocket hole pitch cumulative tolerance ±0.20.
- 2.Carrier camber is within 1mm in 100mm.
- 3.Material: black conductive polystyrene alloy.
- 4.Material Thickness: 0.3±0.05mm.
- 5.All dimensions meet EIA-481-B requirements.
- 6.5000pcs Pef Reel.
- 7.For tape width(dim W)16 and 24mm pilot holes are provided on one sides. For tape width(dim W)32, 44 and 56mm pilot holes are provided on both sides.



SCALE 1:4



PIN NO.	W	A	B	C	PCS /REEL	REEL/CARTON	SUM(PCS)
13PIN~25PIN	20.5	16	7.50	-	5000	15	75000
27PIN~49PIN	28.5	24	11.5	-	5000	10	50000
57PIN~61PIN	36.5	32	14.2	28.4	5000	8	40000
67~73PIN	48.5	44	20.2	40.4	5000	6	30000

CUSTOMER DRAWING		一般公差 GENERAL TOLERANCE		东莞市红都电子科技有限公司 DONG GUAN SHI HONG DU ELECTRONICS TECHNOLOGY CO., LTD	
.X	±0.30	制图(DD):		品名(TITLE): FPC 0.3Pitch 1.0H ZIF R/A EMBOSSED TAPE PACKING	
.XX	±0.20	审核(SD):		料号(PART NO): FPC0310A-Xxx-00RB	
.XXX	±0.10	批准(APR):		比例(SCALE): 5:1	
ANGLES	±2°	图幅(SHEET):		图幅(SIZE):	
图号(DWG):		图名(TITLE):		图号(SHEET):	
图号(SHEET):		图幅(SIZE):		图幅(SIZE):	

本部品不含有环境管理物质规定之有害物质 [MANAGEMENT REGULATIONS FOR THE RESTRICTIVELY-USED SUBSTANCES INCLUDED IN PARTS AND DEVICES]