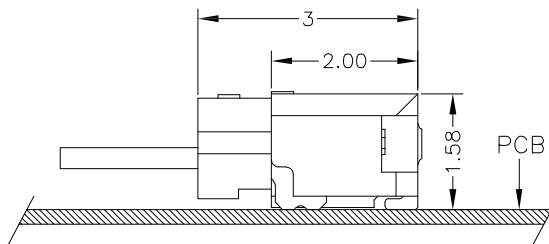


RECOMMENDED PCB LAYOUT
DEFAULT TOL:±0.05



MATED CONDITION

NOTES:

1.MATERIAL:

Housing: ThermalPlastic ,High Temp,(UL94V-0)

Contact:Copper Alloy

Nail:Brass

2.FINISH:

Contact:

50u"Min,NICKEL UNDERPLATING OVERALL.

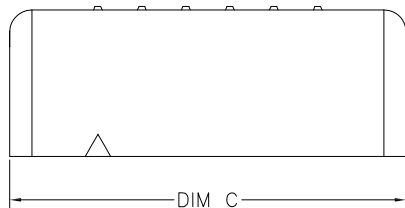
1.GOLD FLASH PLATING OVERALL.

2.100u" MIN.MATT TIN OVERALL.

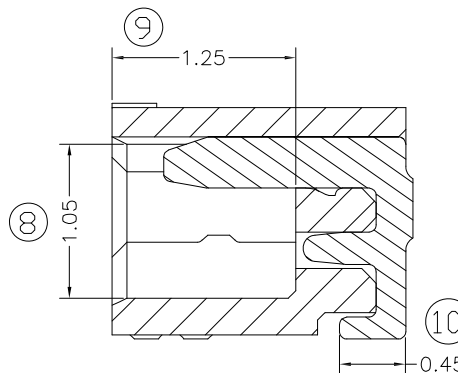
Nail:

50u"MIN,NICKEL UNDERPLATING OVERALL.

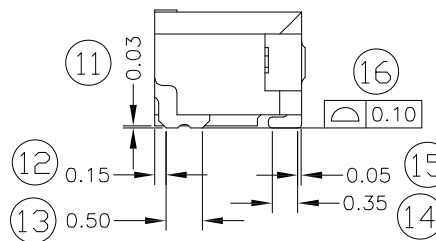
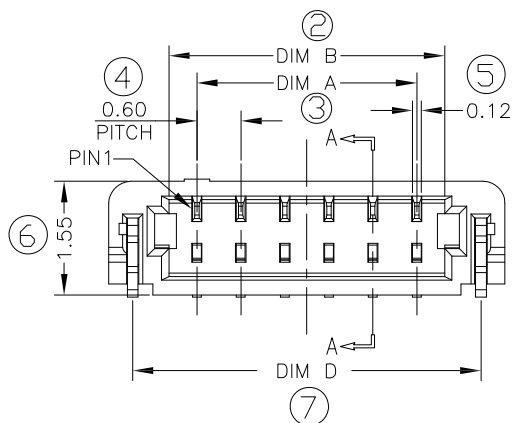
100u" MIN,MATT TIN OVERALL.



①



SECTION A-A
SCALE 2:1



CKT.	Dim A	Dim B	Dim C	Dim D
2	0.60	1.36	3.00	2.35
4	1.80	2.56	4.20	3.55
6	3.00	3.76	5.40	4.75
7	3.60	4.36	6.00	5.35
8	4.20	4.96	6.60	5.95
10	5.40	6.16	7.80	7.15
12	6.60	7.36	9.00	8.35

CUSTOMER DRAWING

一般公差
GENERAL TOLERANCE

.X ±0.25
.XX ±0.15
.XXX ±0.10
ANGLES ±2°



东莞市红都电子科技有限公司
DONG GUAN SHI HONG DU ELECTRONICS TECHNOLOGY CO., LTD

制图 (DR): Kevin 02/28/17

品名 (TITLE): 0.6mm WTB SMT R/A TYPE CONN.

审核 (CHKD):

料号 (PART NO): WTB0616B-Xxx-00RE

修订 SER	修改摘要 REVISION DESCRIPTION	签名 SIGNATURE	日期 DATE	版本 (REV) A

核准 (APPD):	比例 (SCALE) 5:1	单位 (UNITS) mm	张数 (SHEET) 1 OF 1	图幅 (SIZE) A1