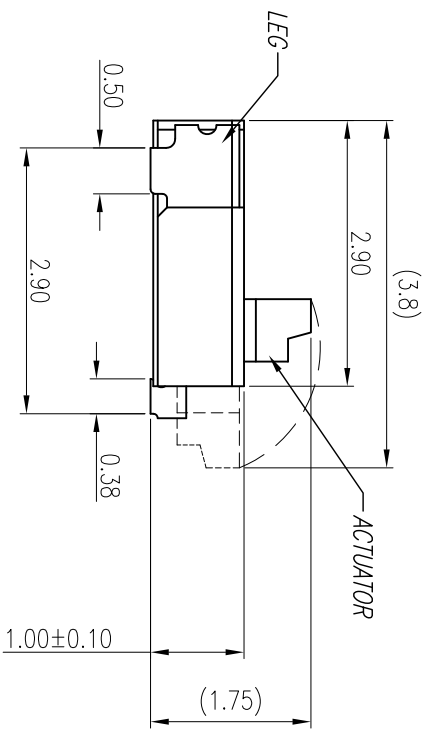


NOTE:
 1. MATERIAL:
 HOUSING: HIGH TEMPERATURE THERMOPLASTIC(UL94V-0), COLOR: NATURAL.
 CONTACTS: COPPER ALLOY.
 LEG: COPPER ALLOY.
 ACTUATOR: HIGH TEMPERATURE THERMOPLASTIC(UL94-V0).
 2. RATING:
 OPERATING VOLTAGE: 50Vrms AC.
 CURRENT RATING: 0.5A.
 OPERATING TEMPERATURE: -55°C~+85°C.
 OPERATING HUMIDITY RANGE: RELATIVE HUMIDITY 90% MAX.(NO CONDENSATION)
 STORAGE TEMPERATURE RANGE: -10°C~+50°C.
 STORAGE HUMIDITY RANGE: RELATIVE HUMIDITY 90% MAX.(NO CONDENSATION)



CUSTOMER DRAWING

一般公差
 GENERAL TOLERANCE

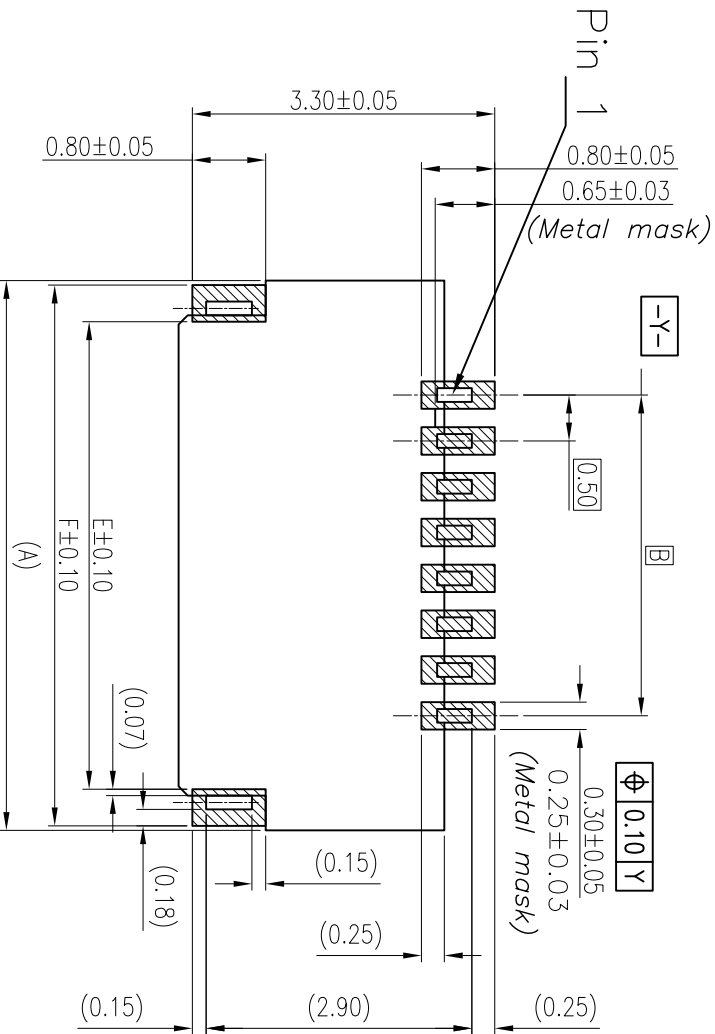


东莞市红都电子科技有限公司
 DONG GUAN SHI HONG DU ELECTRONICS TECHNOLOGY CO., LTD

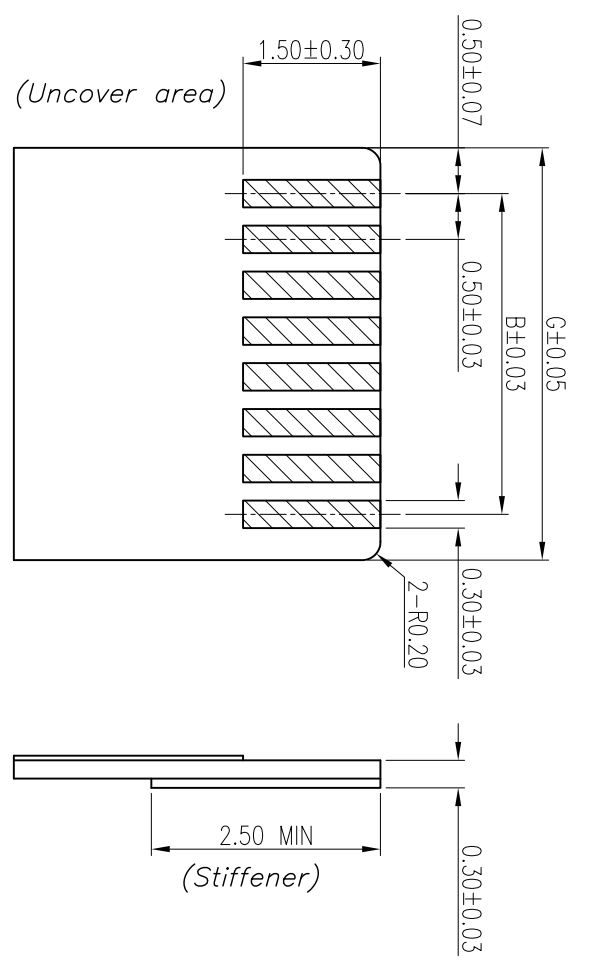
制图 (DND): Kevin 0002157 品名 (TITLE): 0.5Pitch 1.0H EASY-ON
 .XXX ±0.10 BACK-FLIP R/A SMT CONN.

审核 (APPD): 料号 (PART NO.): FPC0510B-XX-00RB 张数 (SHEET) 图幅 (SIZE)
 10:1 单位 (UNITS) 1.0*2 A4

修订 REV	修改摘要 REVISION DESCRIPTION	签名 SIGNATURE	日期 DATE	版本 A	核准 (APPD):	比例 (SCALE) 10:1	单位 (UNITS) mm	张数 (SHEET) 1 of 2	图幅 (SIZE) A4
-----------	------------------------------	-----------------	------------	---------	------------	--------------------	------------------	----------------------	-----------------



RECOMMENDED PCB MOUNTING PATTERN AND METAL MASK DIMENSIONS
 RECOMMENDED METAL MASK THICKNESS: T=0.1



RECOMMENDED FPC/FCC DIMENSIONS

Number of Connectors	DM A	DM B	DM C	DM D	DM E	DM F	DM G
4	4.00	1.50	2.57	3.39	3.10	3.90	2.50
6	5.00	2.50	3.57	4.39	4.10	4.90	3.50
7	5.50	3.00	4.07	4.89	4.60	5.40	4.00
8	6.00	3.50	4.57	5.39	5.10	5.90	4.50
10	7.00	4.50	5.57	6.39	6.10	6.90	5.50
11	7.50	5.00	6.07	6.89	6.60	7.40	6.00
12	8.00	5.50	6.57	7.39	7.10	7.90	6.50
14	9.00	6.50	7.57	8.39	8.10	8.90	7.50
16	10.00	7.50	8.57	9.39	9.10	9.90	8.50
20	12.00	9.50	10.57	11.39	11.10	11.90	10.50
22	13.00	10.50	11.57	12.39	12.10	12.90	11.50
23	13.50	11.00	12.07	12.89	12.60	13.40	12.00
24	14.00	11.50	12.57	13.39	13.10	13.90	12.50
26	15.00	12.50	13.57	14.39	14.10	14.90	13.50
30	17.00	14.50	15.57	16.39	16.10	16.90	15.50
32	18.00	15.50	16.57	17.39	17.10	17.90	16.50
34	19.00	16.50	17.57	18.39	18.10	18.90	17.50
40	22.00	19.50	20.57	21.39	21.10	21.90	20.50
45	24.50	22.00	23.07	23.89	23.60	24.40	23.00
50	27.00	24.50	25.57	26.39	26.10	26.90	25.50

CUSTOMER DRAWING

一般公差
 GENERAL TOLERANCE



东莞市红都电子科技有限公司
 DONG GUAN SHI HONG DU ELECTRONICS TECHNOLOGY CO., LTD

比例 (SCALE): 10:1
 单位 (UNITS): mm
 张数 (SHEET): 2 of 2
 图幅 (SIZE): A4

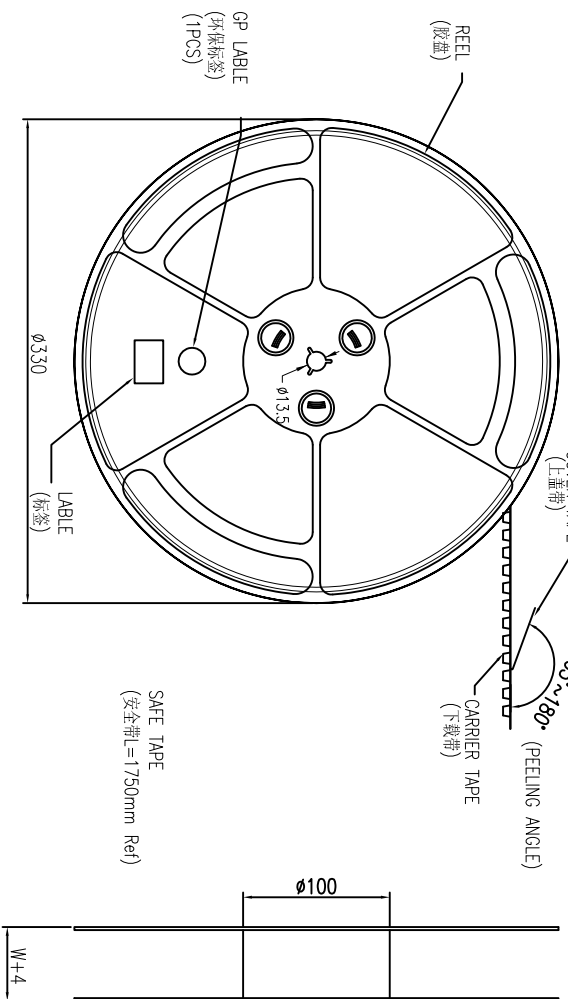
修改/变更	签名	日期
批准 (APPD):	审核 (CHKD):	比例 (SCALE):
比例 (SCALE):	单位 (UNITS):	张数 (SHEET):
图幅 (SIZE):		

本部品不含有环境管理物质规定之有害物质 [MANAGEMENT REGULATIONS FOR THE RESTRICTIVELY-USED SUBSTANCES INCLUDED IN PARTS AND DEVICES]

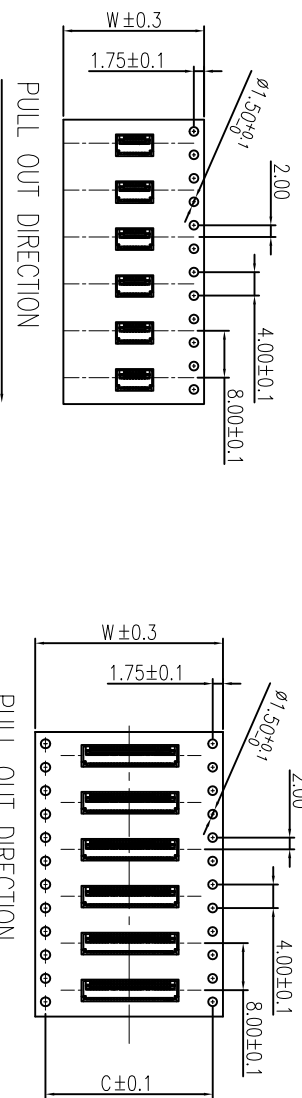
EMBOSSED TAPE PACKING

0.5Pitch 1.0H EASY-ON BACK-FLIP R/A SMT CONN.

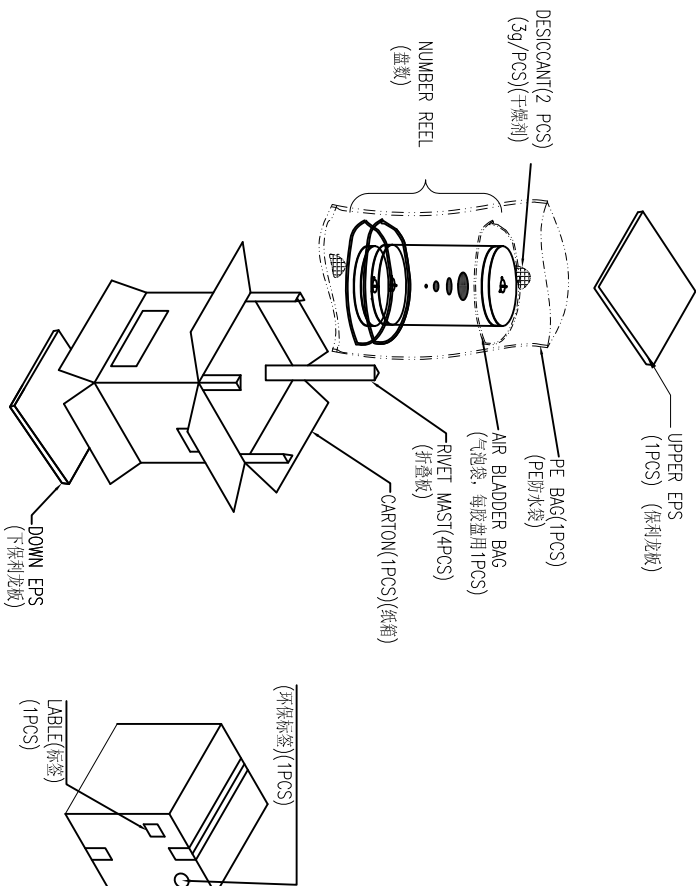
PULL OUT DIRECTION



SCALE 1:4



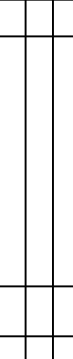
- NOTE:
- 1.10 Sprocket hole pitch cumulative tolerance ± 0.20 .
 - Carrier camber is within 1mm in 100mm.
 - Material: black conductive polystyrene alloy.
 - Material Thickness: 0.3 ± 0.05 mm.
 - All dimensions meet EIA-481-B requirements.
 - 5000pcs Per Reel.
 - For tape width(dim W) 16 and 24mm pilot holes are provided on one sides. For tape width(dim W) 32, 44 and 56mm pilot holes are provided on both sides.



PIN NO.	W	C	PCS /REEL	REEL/CARTON	SUM(PCS)
04PIN~11PIN	16	-	4000	15	67500
12PIN~27PIN	24	-	4000	10	45000
28 PIN~39 PIN	32	28.4	4000	8	36000
40Pin~50PIN	44	40.4	4000	6	27000

CUSTOMER DRAWING

16PCS PRODUCTS EMPTY (START)
16PCS PRODUCTS EMPTY (END)



一般公差
GENERAL TOLERANCE
X ±0.25
XX ±0.15
XXX ±0.10
ANGLES ±3°



东莞市红都电子科技有限公司
DONG GUAN SHI HONG DU ELECTRONICS TECHNOLOGY CO., LTD

制图 (DWD): Kevin
审核 (CMD):
料号 (PART NO.): FFC0510B-XX-00RB
比例 (SCALE): 5:1
单位 (UNITS): 张数 (SHEET):
图幅 (SIZE): A4

本部品不含有环境管理物质规定之有害物质 [MANAGEMENT REGULATIONS FOR THE RESTRICTIVELY-USED SUBSTANCES INCLUDED IN PARTS AND DEVICES]